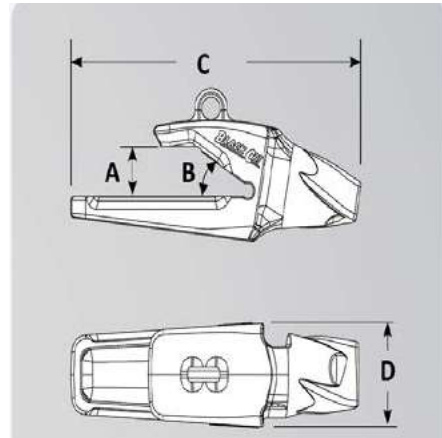


ESCO STYLE SUPER-V BUCKET TEETH



ESCO STYLE SUPER-V TEETH & ADAPTERS

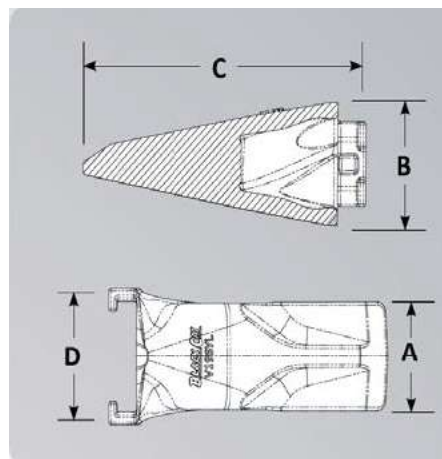
2-STRAP ADAPTERS



Part No	A	B	C	D	KG	Machine Size
5855-V33	41	30.0°	360	101	11	15-20 Tonne
5856-V39	52	30.0°	401	113	15	20-30 Tonne
5856-V43	52	30.0°	435	134	22	35-40 Tonne

Dimensions in mm

STANDARD TIP

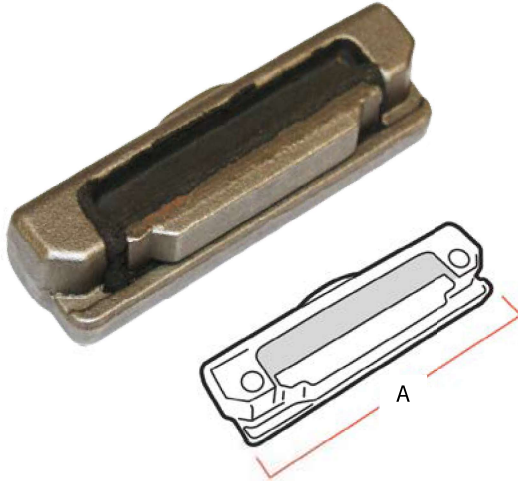


Part No	A	B	C	D	KG	Machine Size
V33 SYL	103	103	263	108	7	15-20 Tonne
V39 SYL	121	114	293	122	9.5	20-30 Tonne
V43 SYL	128	128	323	136	13	35-40 Tonne
V51 SYL	140	143	348	150	16	45-50 Tonne
V59 SYL	156	154	350	172	20	55-60 Tonne
V61 SYL	152	155	380	170	25	65-70 Tonne

External measurements in mm

ESCO STYLE SUPER-V PINS

PIN ASSEMBLY



Part No	A	Machine Size
V33PN	86	15-20 Tonne
V39PN	95	20-30 Tonne
V43PN	105	35-40 Tonne
V51PN	111	45-50 Tonne
V59PN	120	55-60 Tonne
V61PN	130	65-70 Tonne

Dimensions in mm

